



TREADS:	HICKORY
NEWELS:	IRON - SATIN BLACK
RAILS:	HICKORY
STRINGERS:	POPLAR
RISERS:	POPLAR
BALUSTERS:	IRON-SATIN BLACK
HARDWARE:	SATIN BLACK

BALUSTER / NEWEL PROFILE
HF2.9.21 9/16" RND. IRON BALUSTER
HF2.1.9 9/16" RND. IRON BALUSTER
HF2.1.11 9/16" RND. IRON BALUSTER
HF1.1.9 IRON NEWEL - SATIN BLACK
QTY: 147 QTY: 3
SCALE: 1"=1'-0"

JOB NUMBER	OFFICE COPY
	STAIR SHOP
	RAIL SHOP
	C.N.C SHOP
	INSTALLER
HICKORY	
IRON	
POPLAR	

RAIL PROFILE
6710
2 3/4" x 2 5/8"
SCALE: 6"=1'-0"

WALL RAIL PROFILE
6710
2 3/4" x 2 5/8"
SCALE: 6"=1'-0"

STAIRBACK FRAMING BY FVS CO.
DRYWALL / PLASTER BY OTHERS

GENERAL NOTES:

BUILDING CODE: _____

INSTALLER NOTE: _____

CONTRACTOR: _____ FAX #: _____

OFFICE #: _____ MOBIL #: _____

CONTACT: _____ MOBIL #: _____

JOB LOCATION: _____ ELM GROVE, WI

OWNER: _____

PHONE #: _____ MOBIL #: _____

ARCHITECT: _____

CONTACT/DESIGNER: _____

OFFICE #: _____ FAX #: _____

SUPERINTENDENT: _____

OFFICE #: _____ MOBIL #: _____

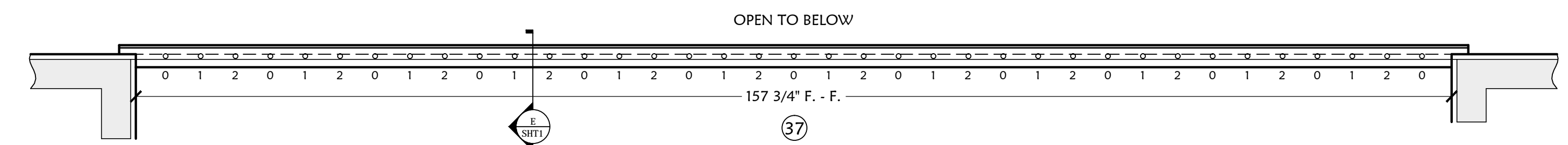
SCALE: AS SHOWN DRAWN BY: JIM J. DATE: _____

PROJ MNGR: S.V. PROPOSAL #: 18081 TAG: 18081 R3

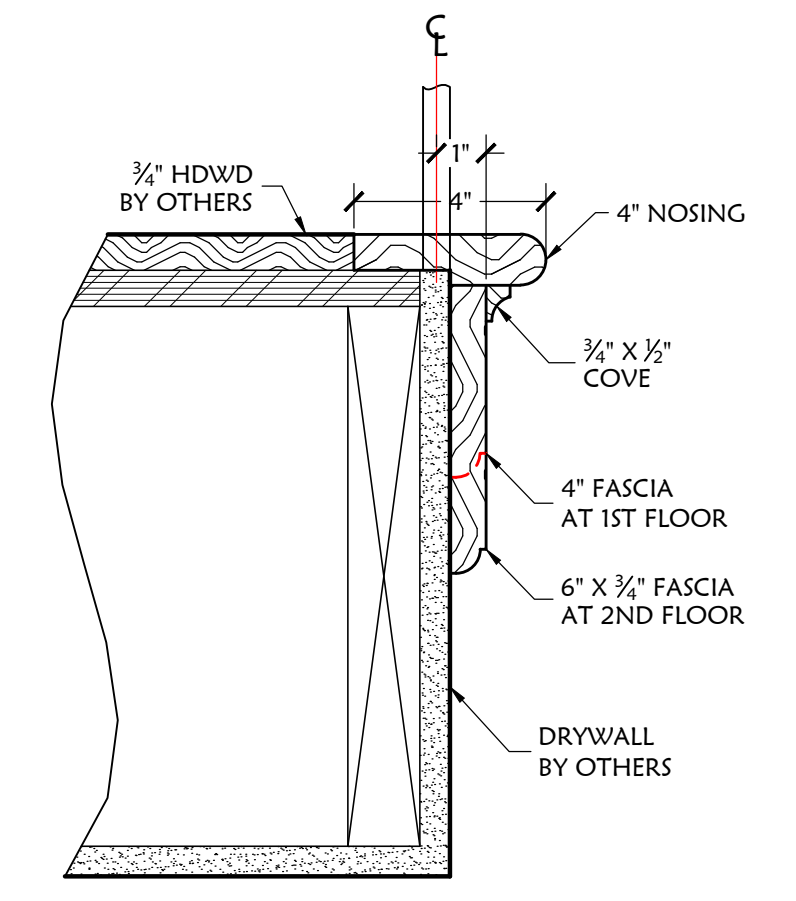
REVISION: BY: DATE: CHK BY: DATE:
REVISION: BY: DATE: CHK BY: DATE:
REVISION: BY: DATE: CHK BY: DATE:
REVISION: BY: DATE: CHK BY: DATE:

JOB LOCATION MAP:

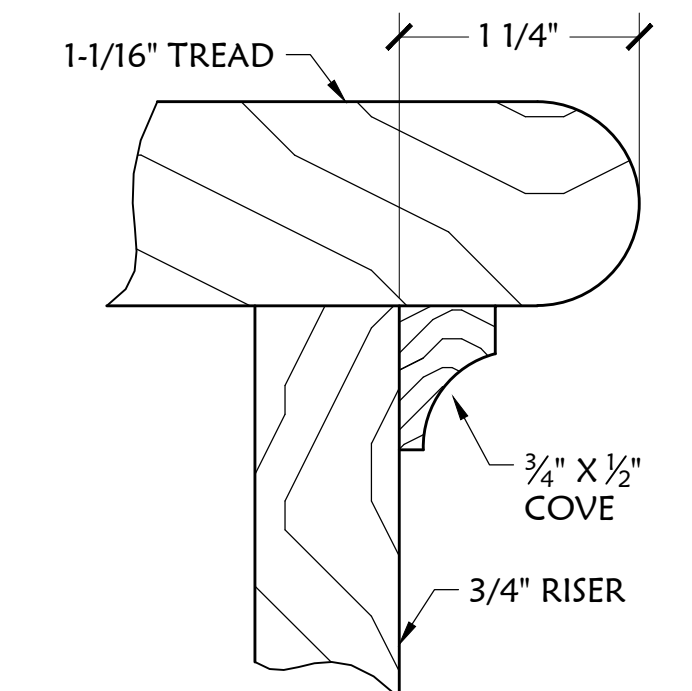
THESE DRAWINGS ARE THE PROPERTY OF FOX VALLEY STAIR AND MILLWORK COMPANY 1719 WEST ROUTE 120, McHENRY, IL 60051 ANY UNAUTHORIZED USE OR REPRODUCTION IS PROHIBITED FAX: (815) 344-9607 PHONE: (815) 344-2292 E-MAIL: SALES@FOXVALLEYSTAIR.COM



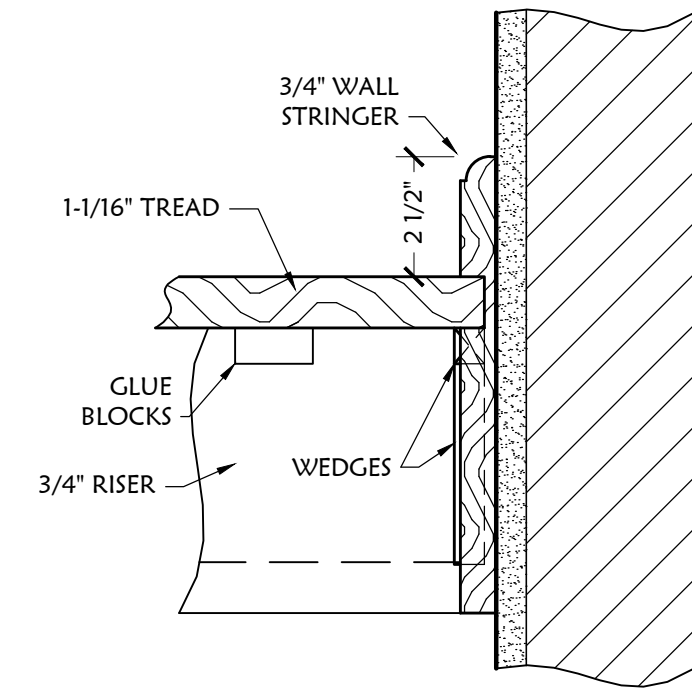
2ND FLOOR BALUSTRADE
SCALE: 1"=1'-0"



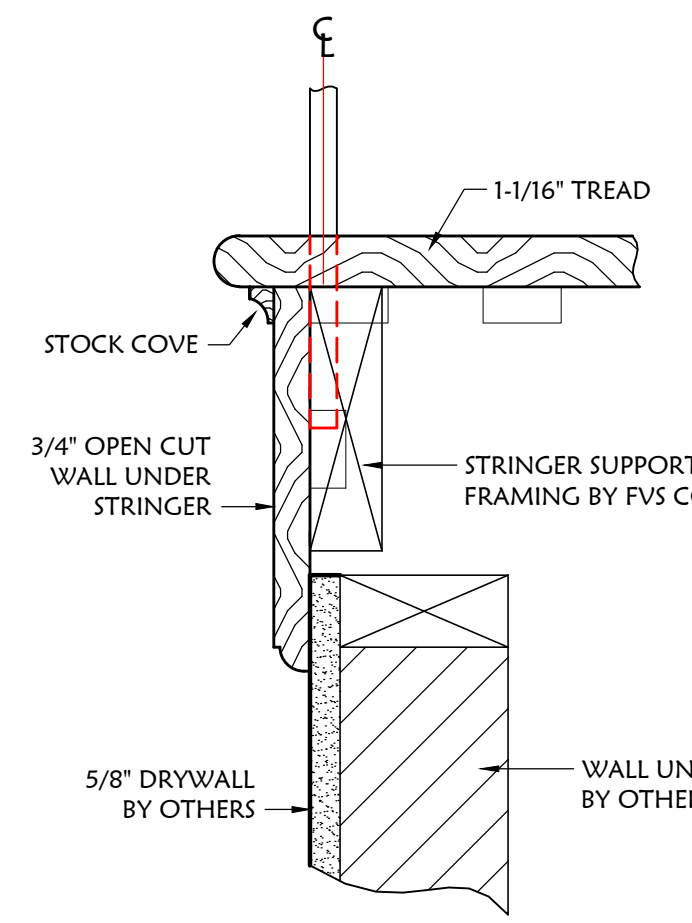
FLOOR TRIM (TYP)
SCALE: 3"=1'-0"



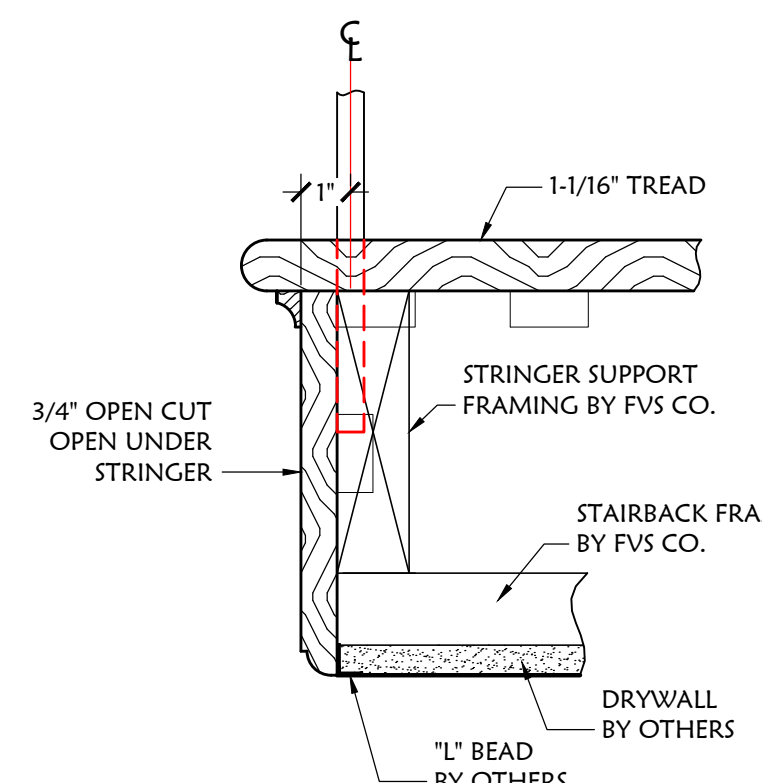
TREAD / RISER DETAIL
SCALE: FULL



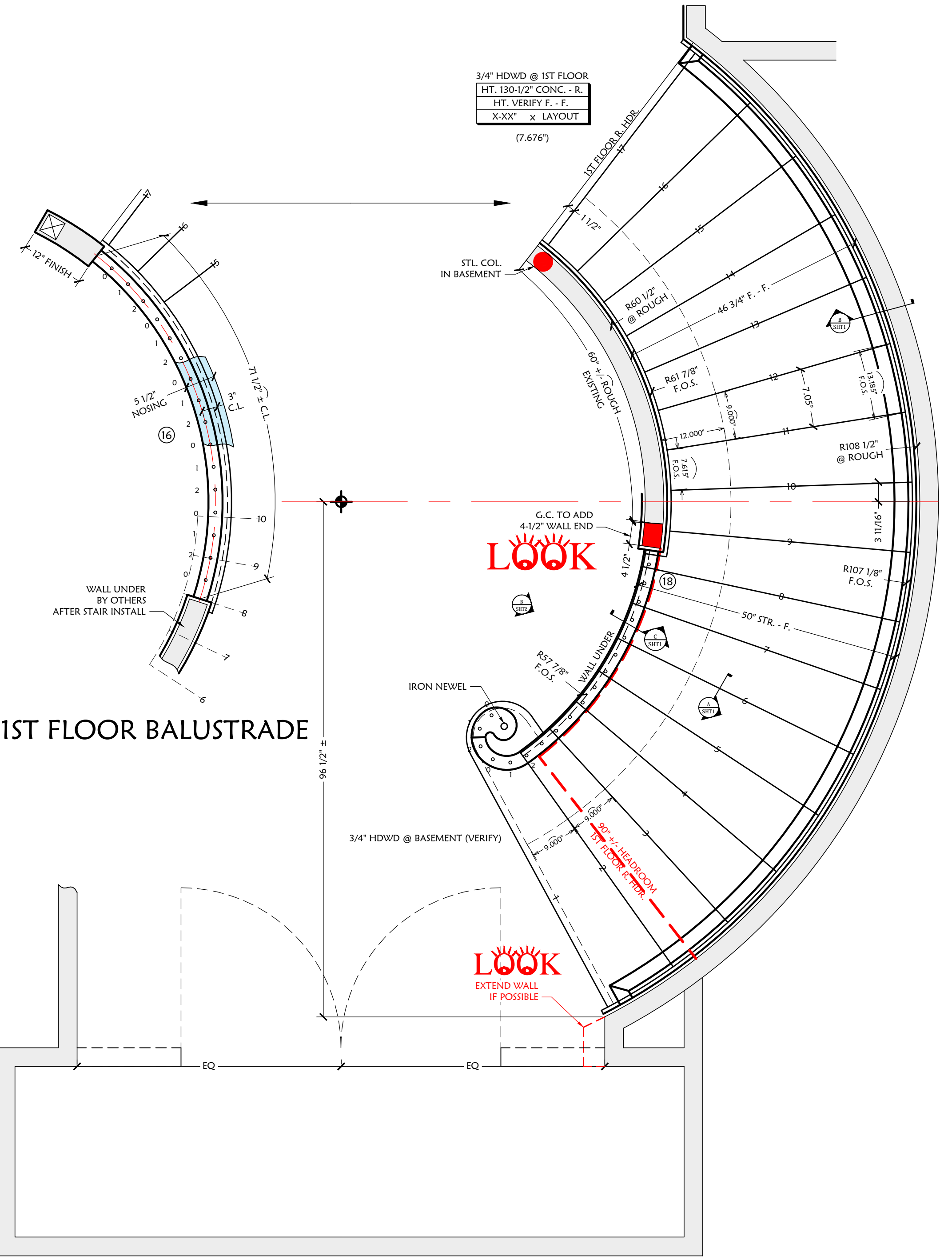
WALL STRINGER (TYP)
SCALE: 3"=1'-0"



WALL UNDER STRINGER
SCALE: 3"=1'-0"

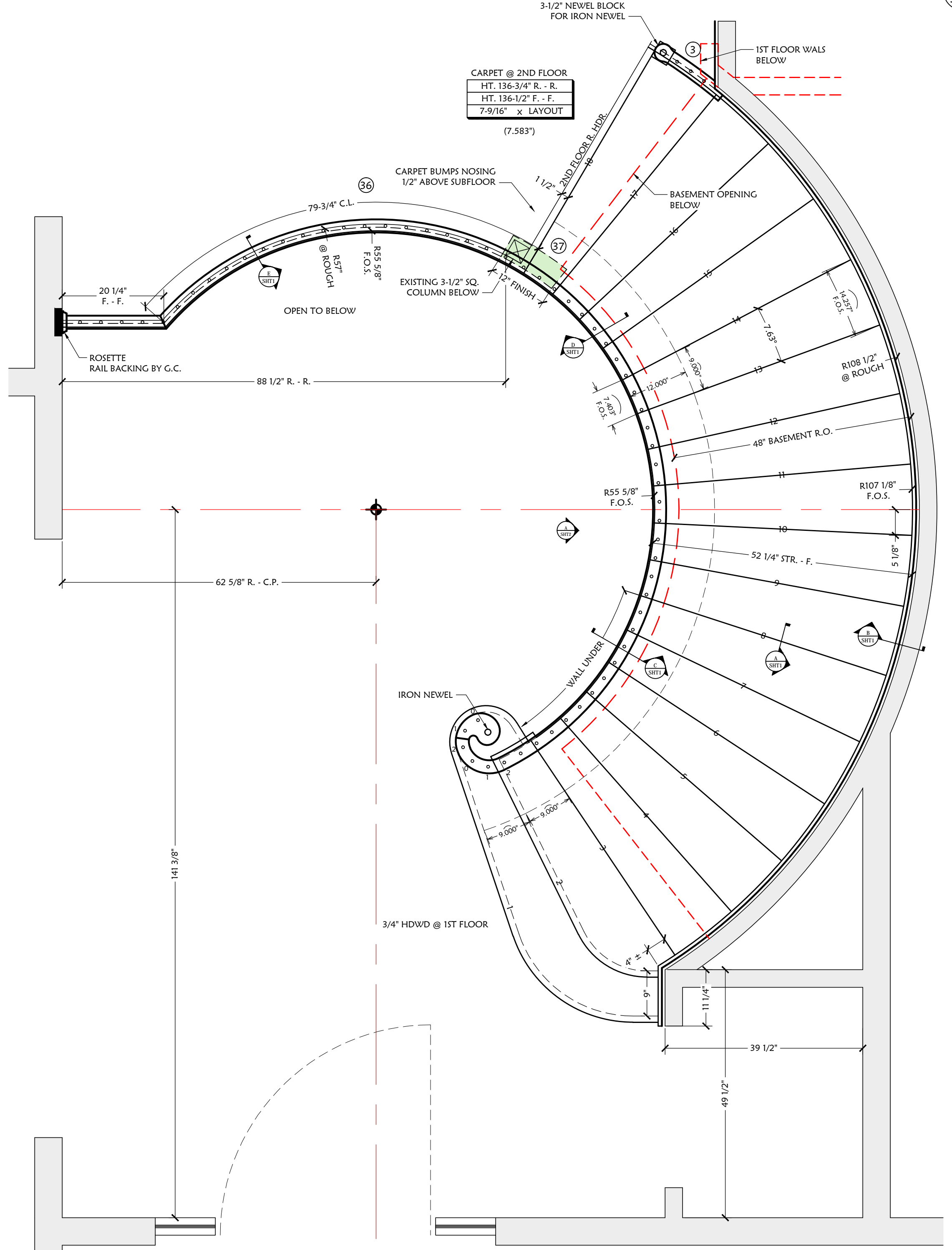


OPEN UNDER STRINGER
SCALE: 3"=1'-0"

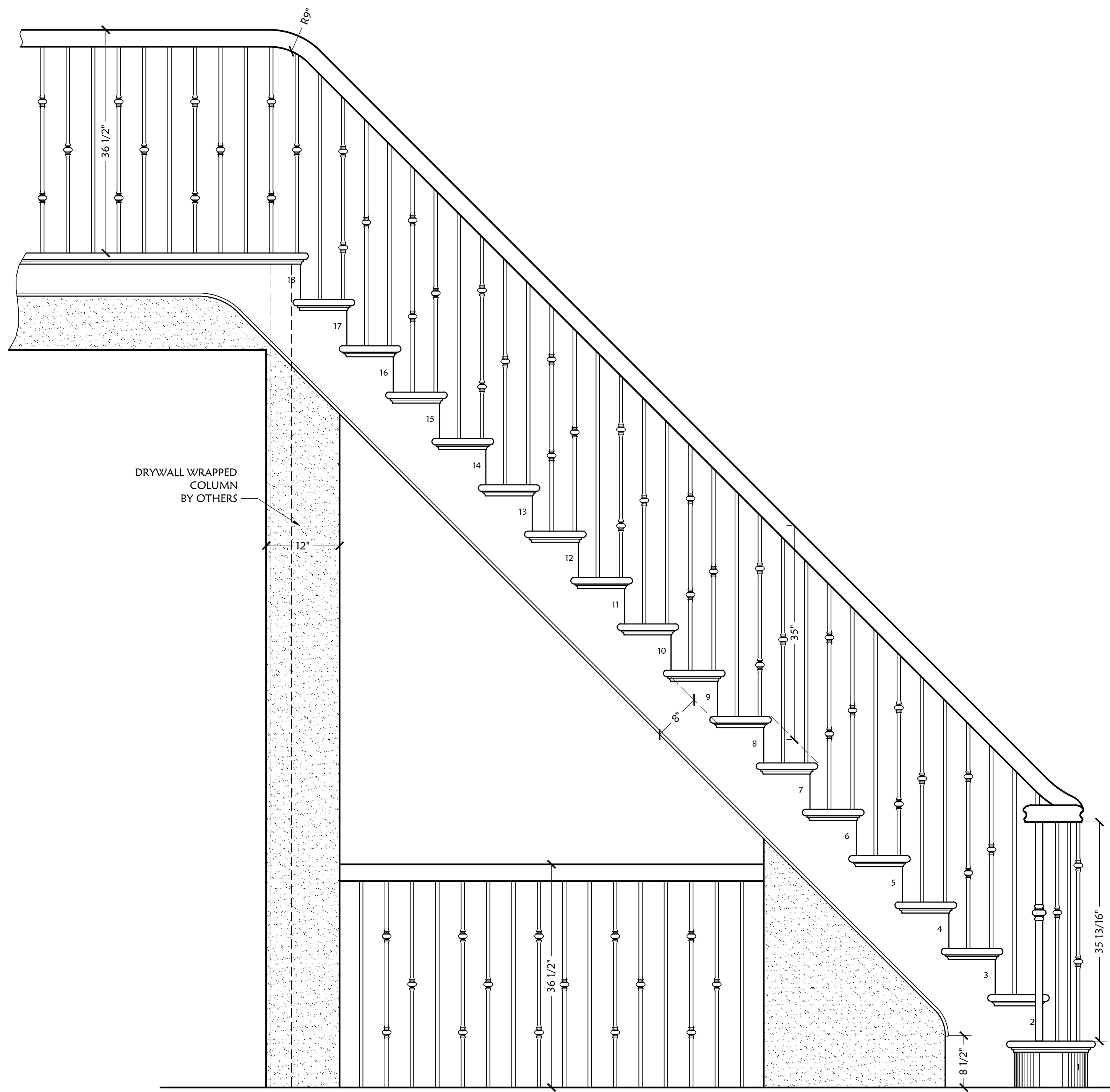


1ST FLOOR BALUSTRADE

BASEMENT TO 1ST FLOOR STAIR
SCALE: 3/4"=1'-0"



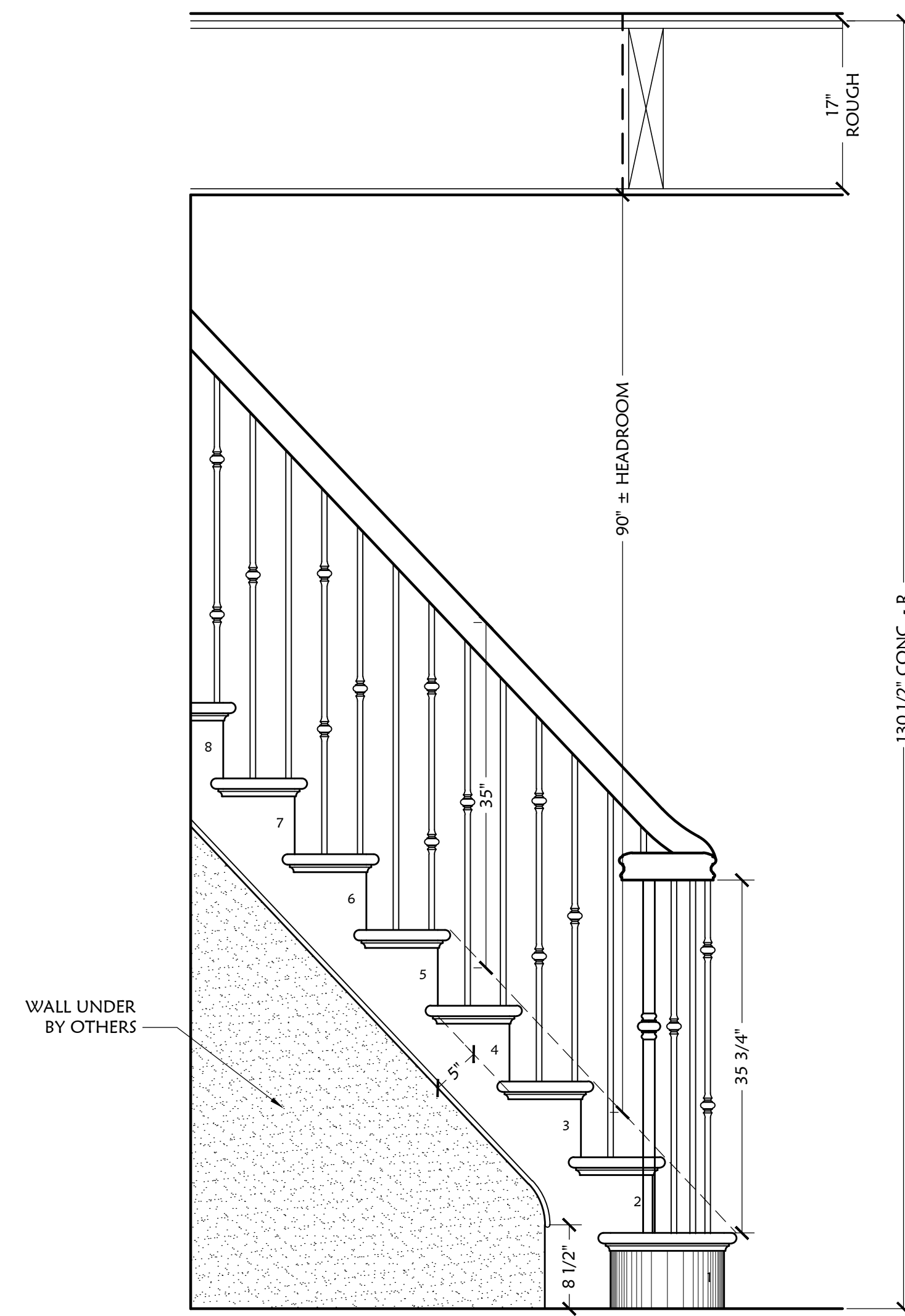
1ST TO 2ND FLOOR STAIR
SCALE: 3/4"=1'-0"



1ST TO 2ND FLOOR STAIR

SCALE: 1"=1'-0"

A
SHT2



BASEMENT TO 1ST FLOOR STAIR

SCALE: 1"=1'-0"

B
SHT2



CONTRACTOR: _____
 JOB LOCATION: _____
 _____ ELM GROVE, WI
 OWNER: _____
 SCALE: AS SHOWN DRAWN BY: JIM J. DATE: _____
 PROJ MNGR: C.M.J. PROPOSAL #: 18081 TAG: 18081 R3
 DRAWING PATH: c:\01.drawings\fs.drawings\18081\18081 r3.dwg